

SOCIAL DISTANCING PROTECTIVE BARRIER

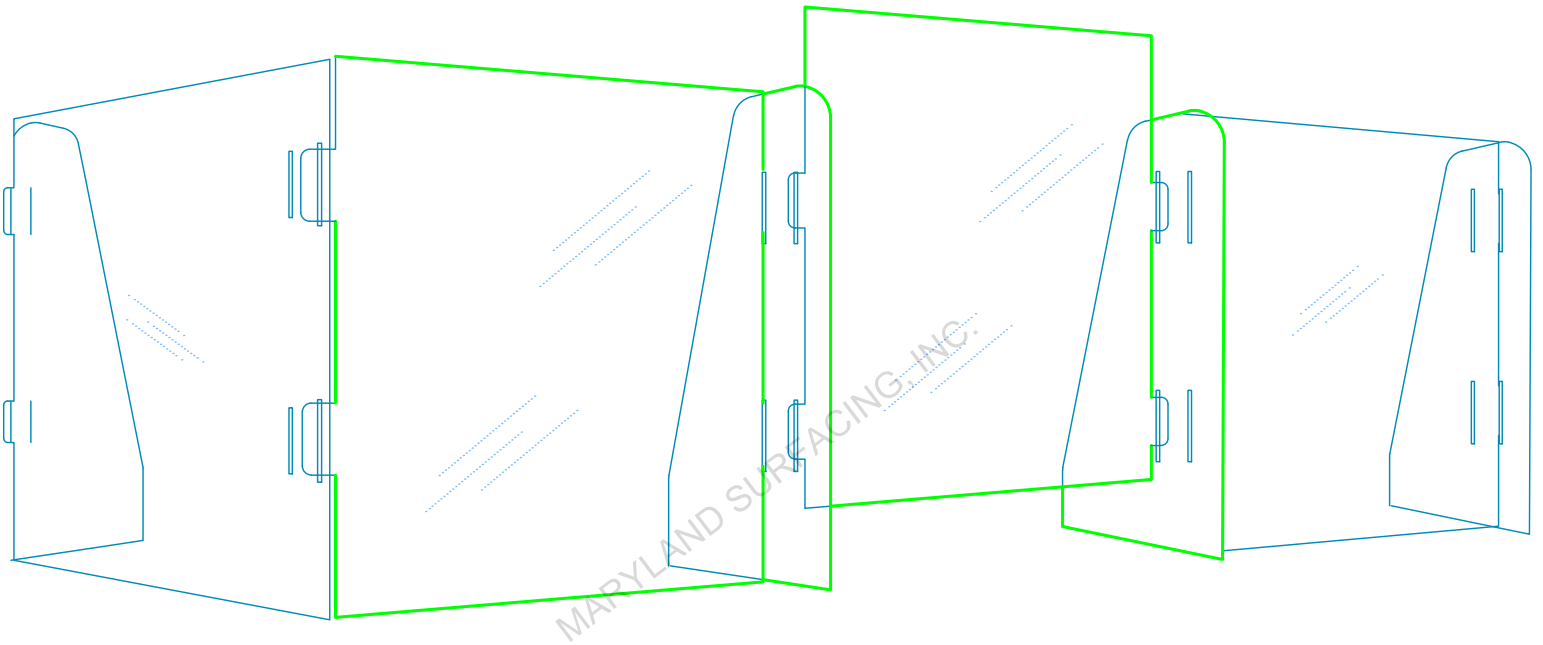
FOR USE ON:

- COUNTERTOPS
- RECEPTION DESKS
- CONSULTATION DESKS
- NURSE STATIONS
- WORK TABLES
- CHECK-OUT COUNTERS



CONTACT US AT:

SALES@MARYLANDSURFACING.COM
WWW.MARYLANDSURFACING.COM
5810 MAINS LANE, FREDERICK MD 21704
PH. 240-575-9109 FAX. 240-575-9129

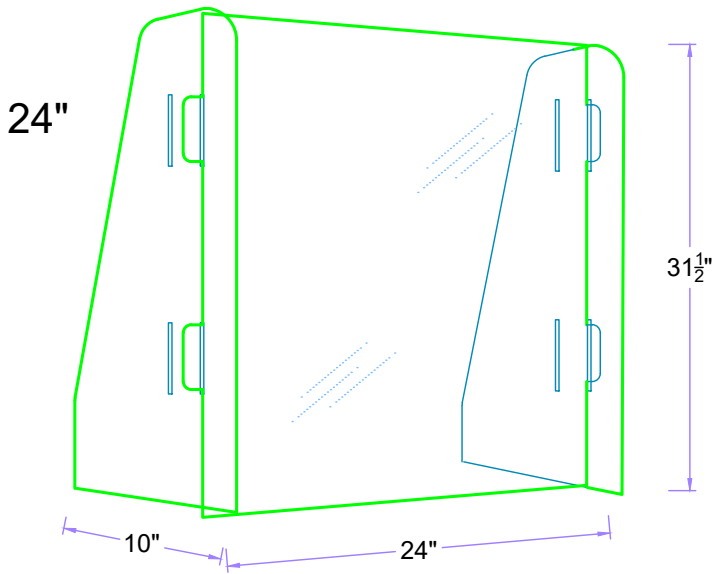


- ORDERS TYPICAL FILLED & DELIVERED WITHIN 24 HOURS AT NO ADDITIONAL CHARGE



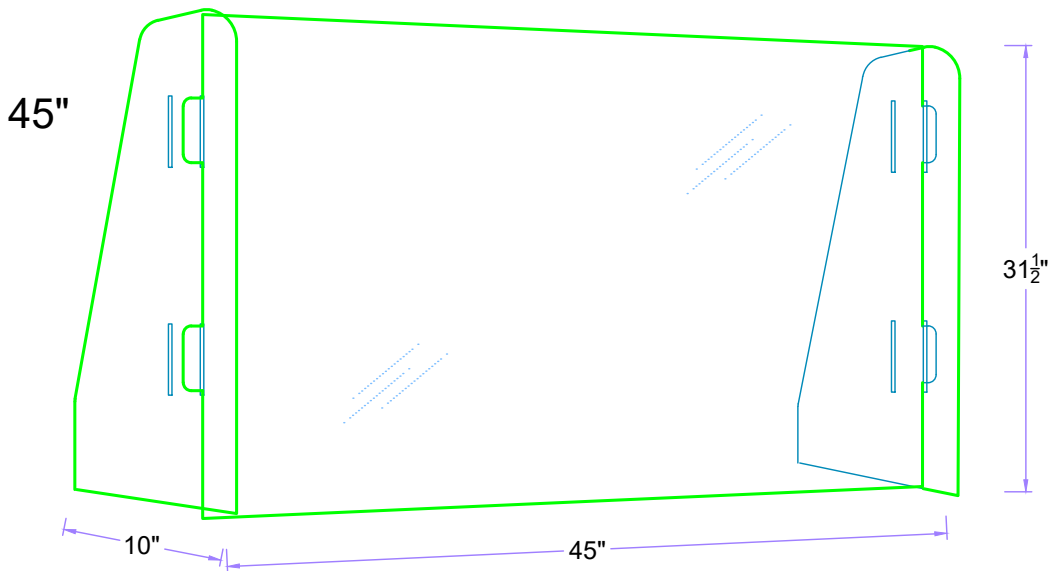
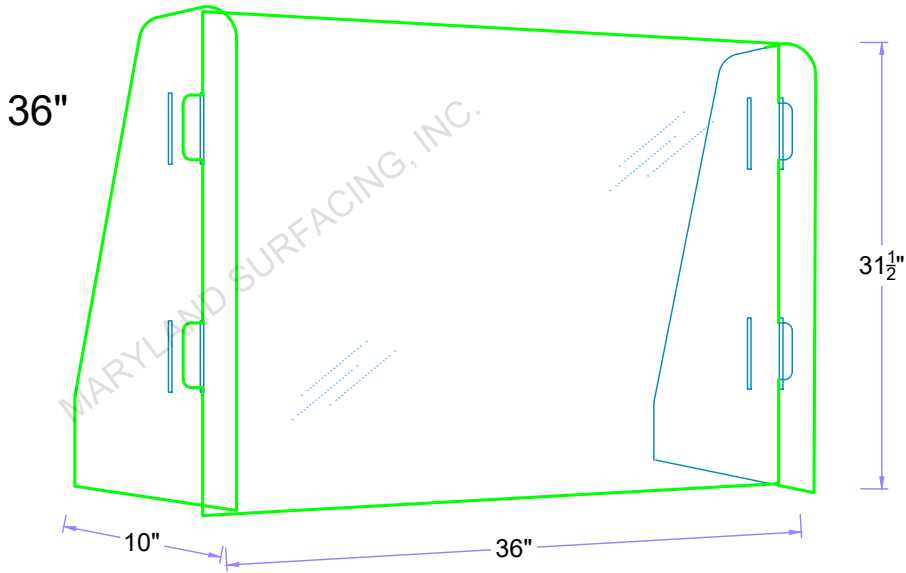
SCAN CODE FOR A QUICK
HOW TO VIDEO OF OUR PRODUCT

PROTECTIVE BARRIER



3 SIZES: 24", 36", 45"

- EASY ASSEMBLY
- FREE STANDING
- CONNECTABLE
- NO PERMANENT INSTALL
- INCLUDES:
 - (1) PANEL
 - (2) UNIVERSAL SIDES
 - (4) LOCKING CLIPS

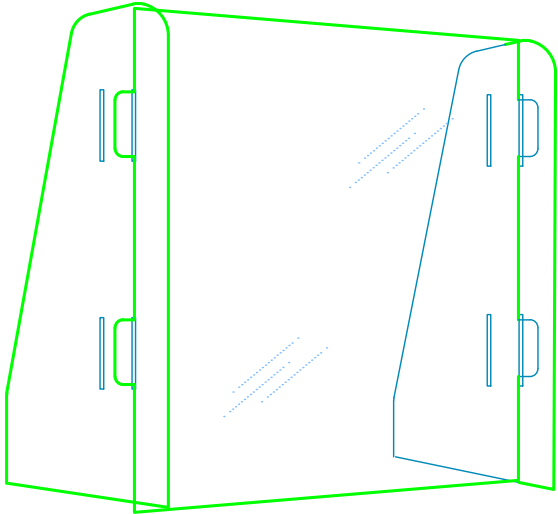


CONTACT US
sales@marylandsurfacing.com
www.marylandsurfacing.com
5810 Mains Lane, Frederick MD 21704
ph. 240-575-9109 fax. 240-575-9129

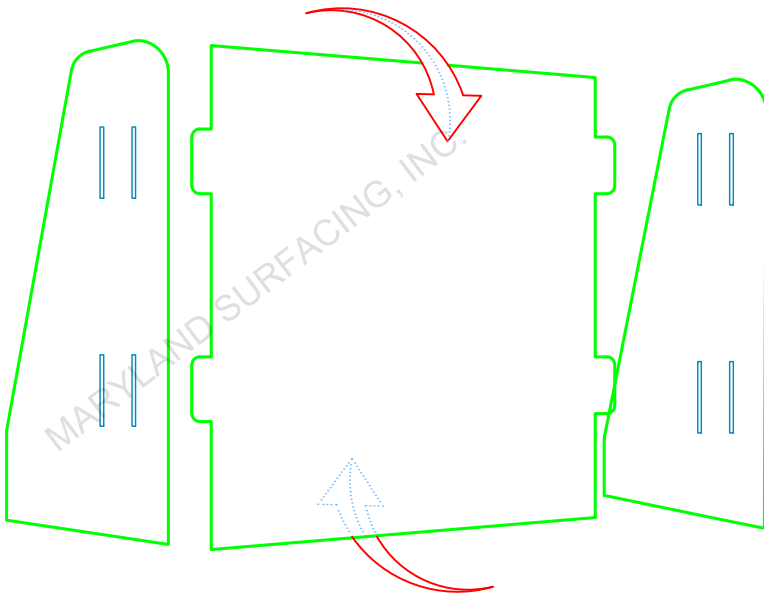
PROTECTIVE BARRIER

2 HEIGHT POSITIONS

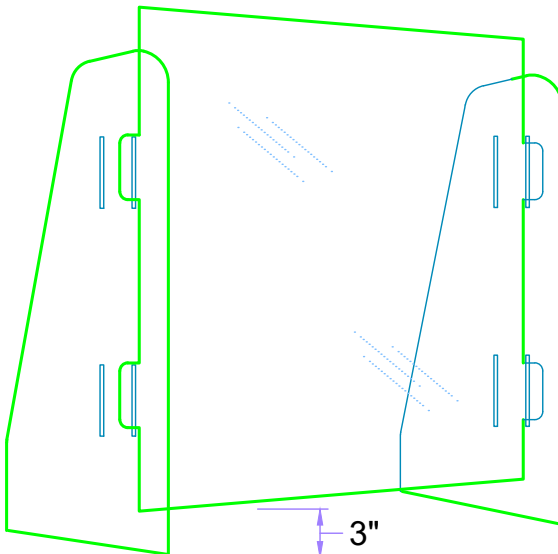
- SIT FLAT ON A SURFACE
- RAISE FOR A PASS-THRU
- NO ADDITIONAL PARTS NEEDED
- 3 EASY STEPS



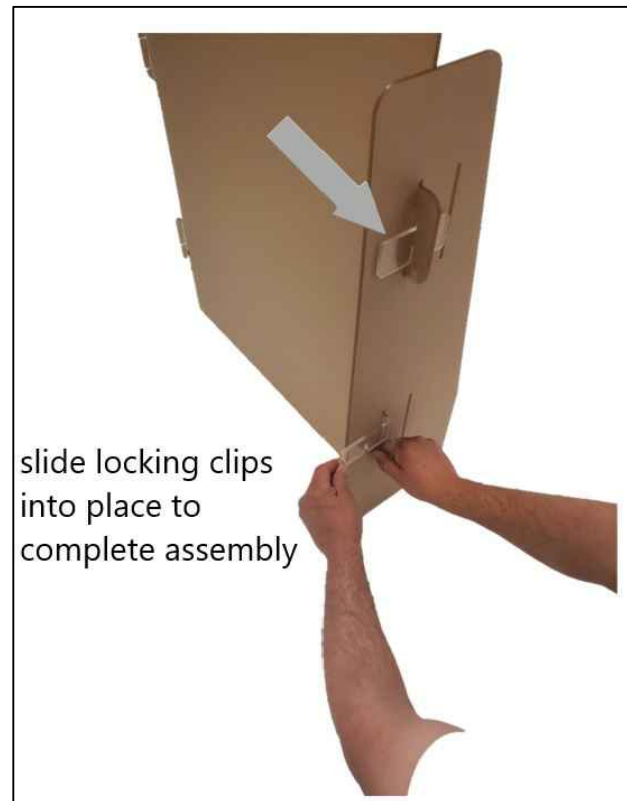
1. PROTECTIVE BARRIER SITS DIRECTLY ON COUNTER SURFACE



2. REMOVE SIDES & FLIP PANEL 180°



3. RE-ASSEMBLE FOR RAISED POSITION

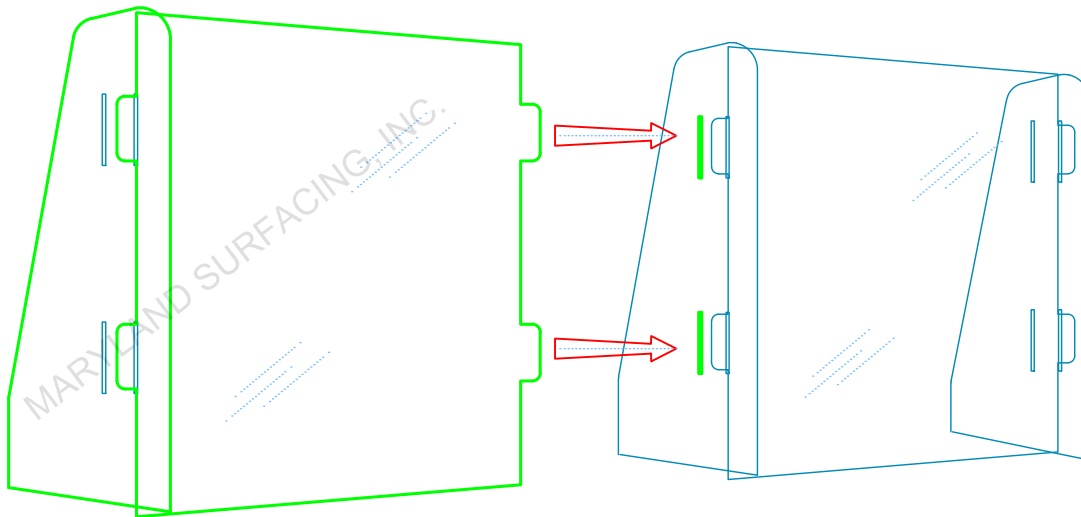
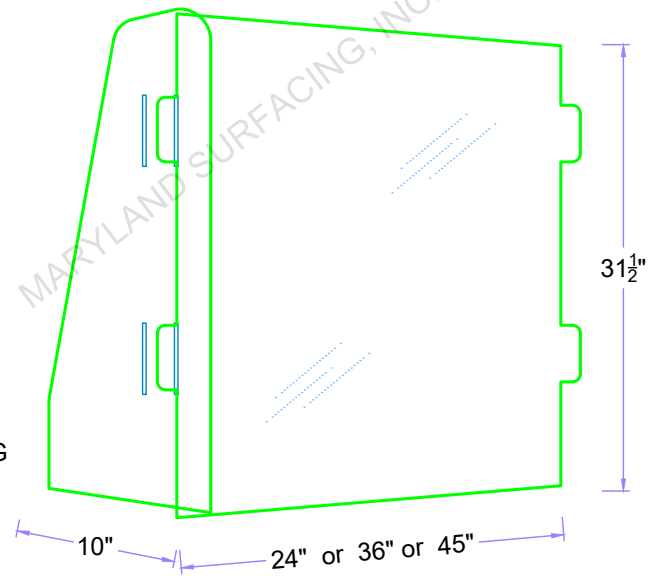
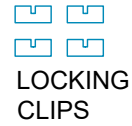


CONTACT US
sales@marylandsurfacing.com
www.marylandsurfacing.com
5810 Mains Lane, Frederick MD 21704
ph. 240-575-9109 fax. 240-575-9129

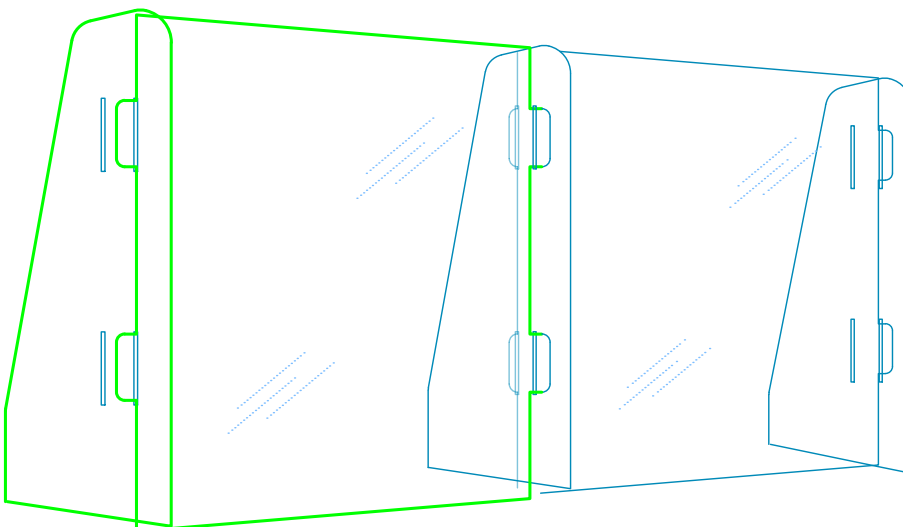
PROTECTIVE BARRIER

ADD-ON

- INCREASE LENGTH OF PROTECTION
- AVAILABLE IN 24", 36" OR 45"
- NO TOOLS REQUIRED
- CREATE ANY LENGTH
- INCLUDES:
 - (1) PANEL
 - (1) UNIVERSAL SIDE
 - (4) LOCKING CLIPS



1. ASSEMBLE ADD-ON & CONNECT TO PROTECTIVE BARRIER



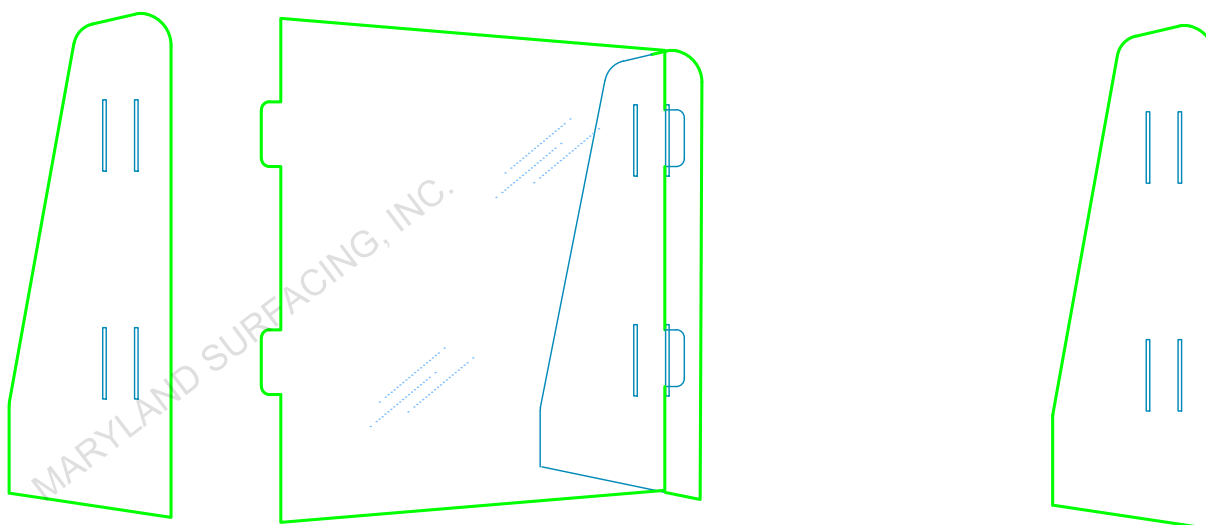
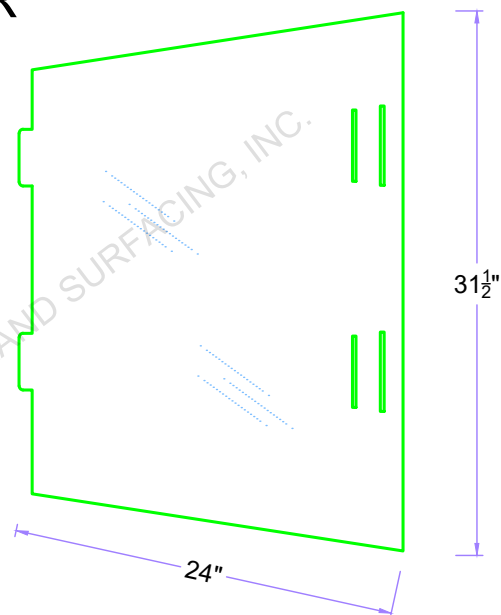
2. SECURE WITH LOCKING CLIPS PROVIDED

CONTACT US
sales@marylandsurfacing.com
www.marylandsurfacing.com
5810 Mains Lane, Frederick MD 21704
ph. 240-575-9109 fax. 240-575-9129

PROTECTIVE BARRIER

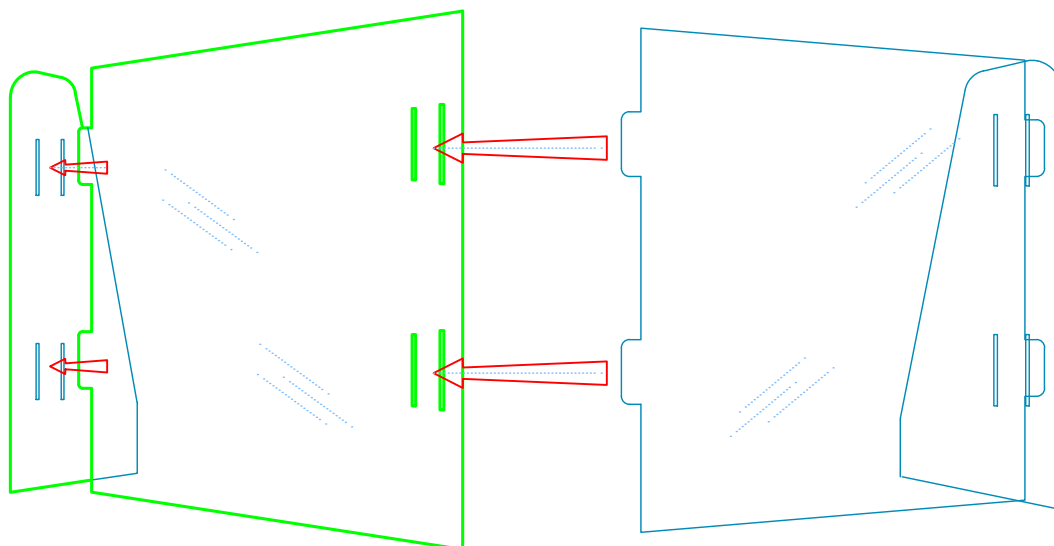
90 DEGREE TURN ADD-ON

- CREATE A 90 DEGREE TURN
- GREAT FOR L-SHAPED COUNTERS
- NO TOOLS REQUIRED
- INCLUDES:
 - (1) PANEL
 - (2) LOCKING CLIPS



1. REMOVE (1) SIDE FROM PROTECTIVE BARRIER

2. SET ASIDE



3. CONNECT PANELS & (1) SIDE FROM LAST STEP, SECURE WITH LOCKING CLIPS PROVIDED

CONTACT US
sales@marylandsurfacing.com
www.marylandsurfacing.com
5810 Mains Lane, Frederick MD 21704
ph. 240-575-9109 fax. 240-575-9129

Price Sheet

Protective Barriers

(Each include (1) panel, (2) sides, (4) locking clips)

- 24" Protective barrier\$190.00
- 36" Protective barrier\$212.00
- 45" Protective barrier\$235.00

Add-on Barriers

(Each include (1) panel, (1) side, (4) locking clips)

- 24" Add-on\$160.00
- 36" Add-on\$182.00
- 45" Add-on\$205.00
- 90-degree turn\$120.00
(includes (1) panel, (2) locking clips)

Extras

- (4) additional locking clips\$8.00
- Custom cut-out in panel\$25.00
(i.e. Round holes)
- Custom sized barriers*email for quote*

*Example, 8' length of countertop to be protected requires (1) 24" protective barrier, (2) 36" Add-Ons

*All parts are shipped with protective paper

*Scan QR code for more information



PROTECTIVE BARRIER

PHOTO'S OF OUR SOCIAL DISTANCING PROTECTIVE BARRIERS



CONTACT US
sales@marylandsurfacing.com
www.marylandsurfacing.com
5810 Mains Lane, Frederick MD 21704
ph. 240-575-9109 fax. 240-575-9129

PROTECTIVE BARRIER

PHOTO'S OF OUR SOCIAL DISTANCING PROTECTIVE BARRIERS

MARYLAND SURFACING, INC.



CONTACT US
sales@marylandsurfacing.com
www.marylandsurfacing.com
5810 Mains Lane, Frederick MD 21704
ph. 240-575-9109 fax. 240-575-9129